

DTS-P PLUNG-IN BUSHINGS
DTS-P BUSHINGS

PLUNG - IN BUSHING

RATED VOLTAGE 24-36 kV RATED CURRENT 250A.



EQUIPMENT BUSHINGS

APPLICATION

For use in equipment insulated with oil fluid typically for transformers, switchgear, capacitors...

DESIGN

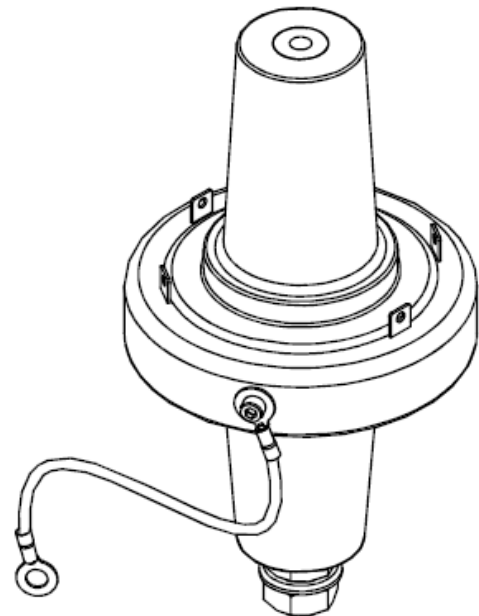
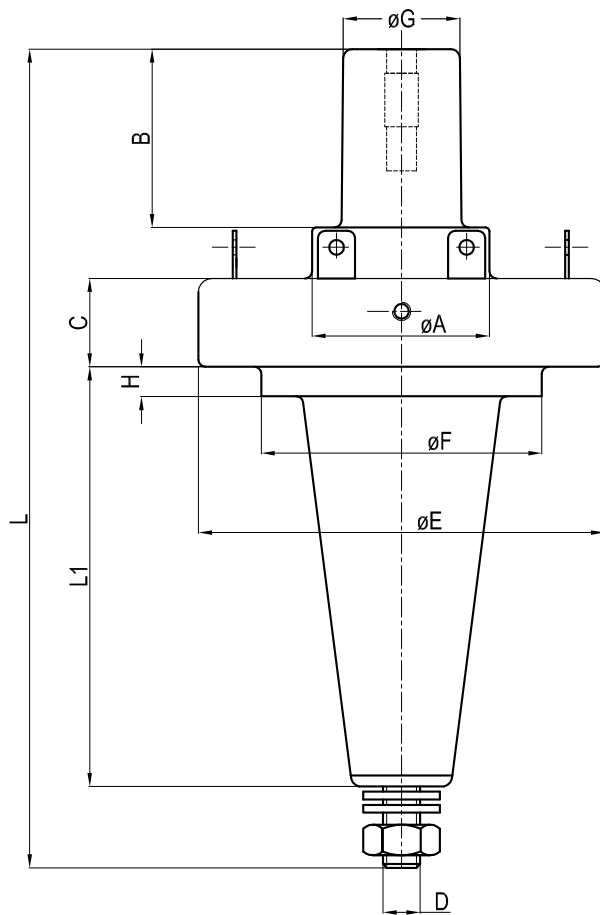
Moulded epoxy insulated bushing in accordance with CENELEC EN 50 180 .

SPECIFICATIONS AND STANDARDS

DELTA plug-in equipment bushings meet the requirements of CENELEC EN 50 180 AND IEC 137.

TECHNICAL CHARACTERISTICS

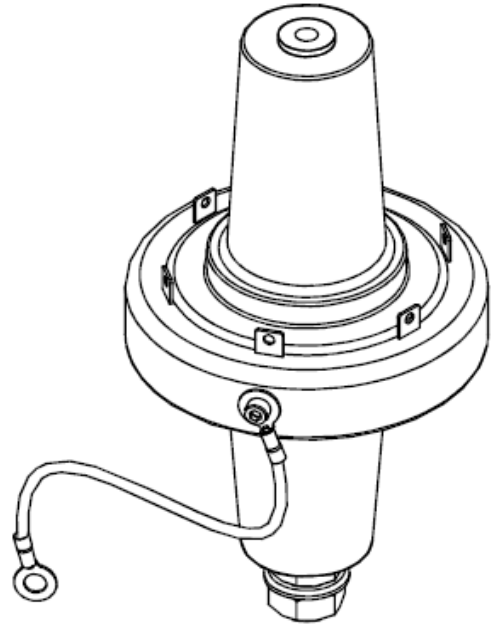
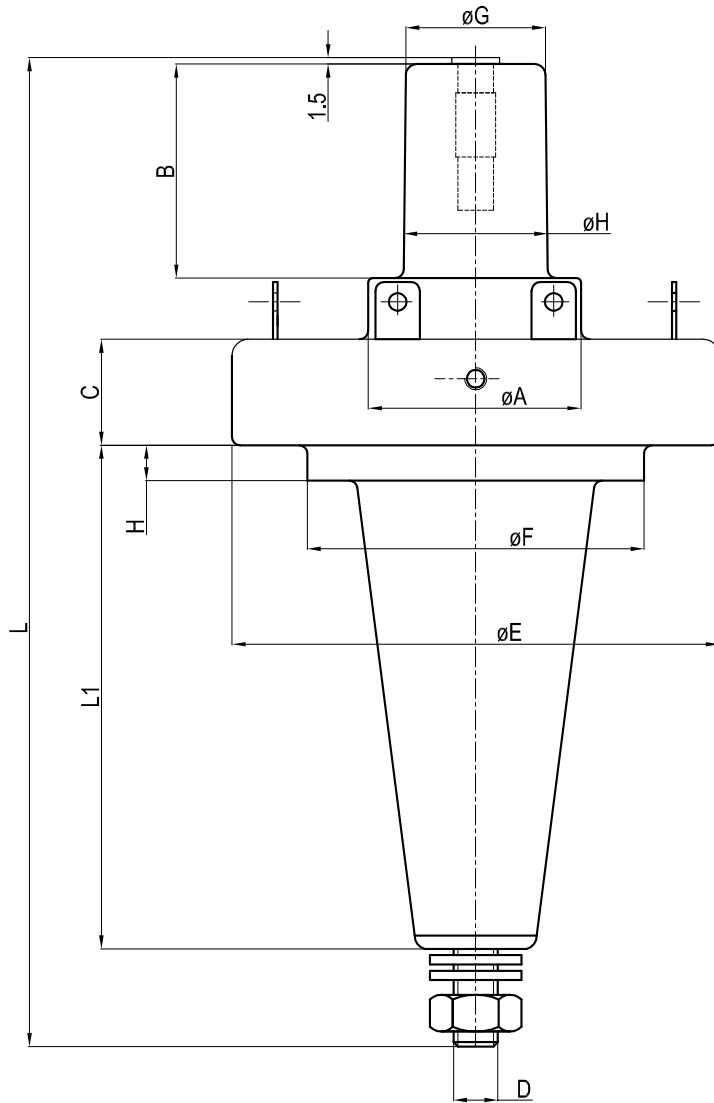
Each bushing is tested for industrial power frequency and partial discharge prior to leaving the factory.



INSULATOR CONTACT	DIMENSIONS											TYPE OF CONTACT SLIDING DIA	RATED VOLTAGE KV	BIL kV 1.2x50 μs	P.F. WITHSTAND VOLTAGE 60s-kV	PARTIAL DISCHARGE EXTINCTION (5pC) kV	RATED CURRENT A	RMS Symm (kA)			PEAK Asymm (kA)
	L	L1	A	B	C	D	E	F	G	H	1 sec							2 sec	3 sec		
	DEB24/250XL	289	173																		
DEB24/250L	224	108	48.5	48	28	M10	ø110	ø74.5	ø31	--	8	24	125	50	21	250	12.5	9	7.5	31	
DEB24/250S	189	73																			
DEB36/250L	240	92	70	90	30	M10	ø110	ø75	ø46	12	14	36	170	70	31	250	16	11.3	9.2	40	

PLUNG - IN BUSHING

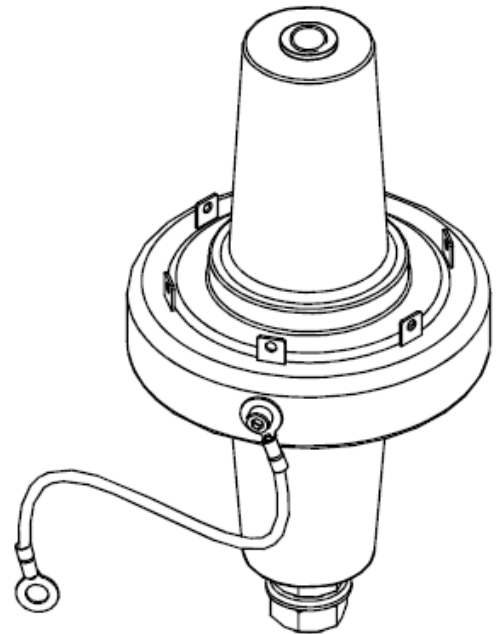
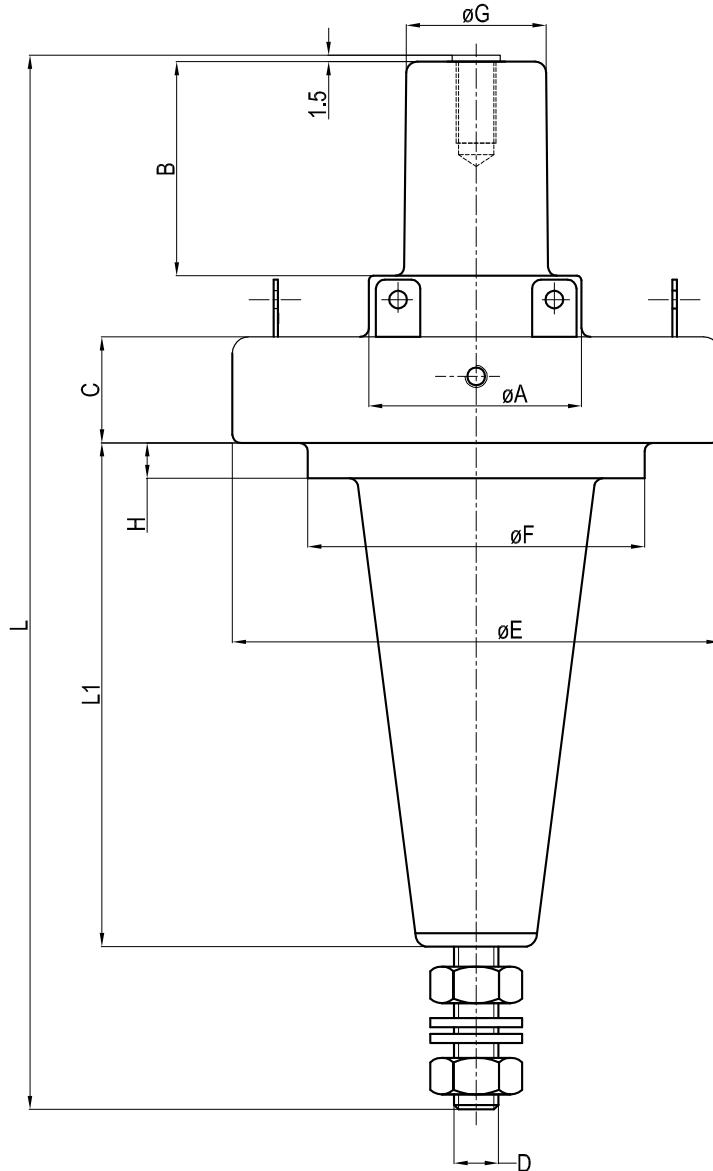
RATED VOLTAGE 36 kV RATED CURRENT 400A.



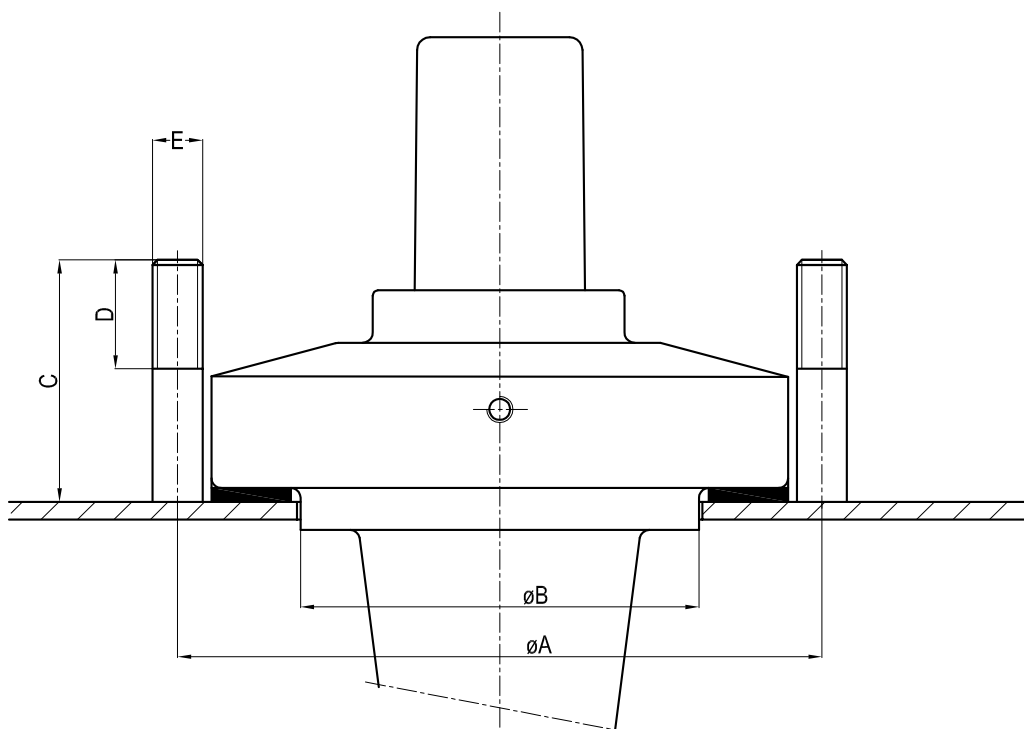
INSULATOR CONTACT	DIMENSIONS											TYPE OF CONTACT SLIDING DIA	RATED VOLTAGE KV	BIL KV 1.2x50 µs	P.F. WITHSTAND VOLTAGE 60s-kV	PARTIAL DISCHARGE EXTINCTION (5pC) KV	RATED CURRENT A	RMS Symm (kA)			PEAK Asymm (kA)
	L	L1	A	B	C	D	E	F	G	H	1 sec							2 sec	3 sec		
	DEB36/400XL	380	231																		
DEB36/400L	330	178	70	90	30	M12	ø128	ø74	ø46	18	14	36	170	70	31	400	16	11.3	9.2	40	
DEB36/400S	240	88																			

PLUNG - IN BUSHING

RATED VOLTAGE 36 KV RATED CURRENT 630A.



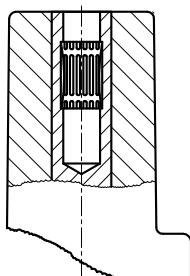
INSULATOR CONTACT	DIMENSIONS											TYPE OF CONTACT SLIDING DIA	RATED VOLTAGE KV	BIL KV 1.2x50 μs	P.F. WITHSTAND VOLTAGE 60s-KV	PARTIAL DISCHARGE EXTINCTION (5pC) KV	RATED CURRENT A	RMS Symm (kA)			PEAK Asymm (kA)
	L	L1	A	B	C	D	E	F	G	H	1 sec							2 sec	3 sec		
	DEB36/400L	333	152	70	90	30	M16	ø128	ø74	ø46	12							16	36	170	



STANDARD	A	B	C	D	E	FIXING STUDS	TYPE
DIN 42538	123	76	55	25	M10	4	A
DIN 42538	140	87	55	25	M10	6	B

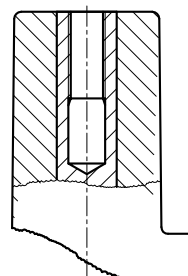
CONTACT SYSTEMS

E TYPE CONTACT SYSTEM



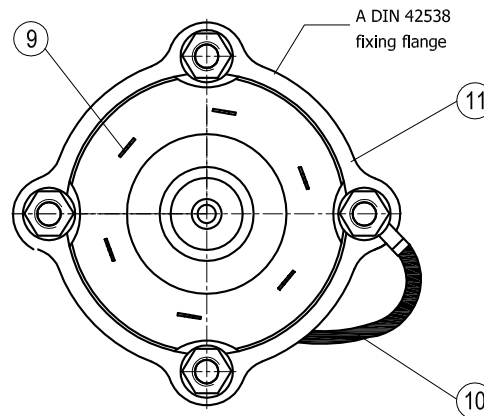
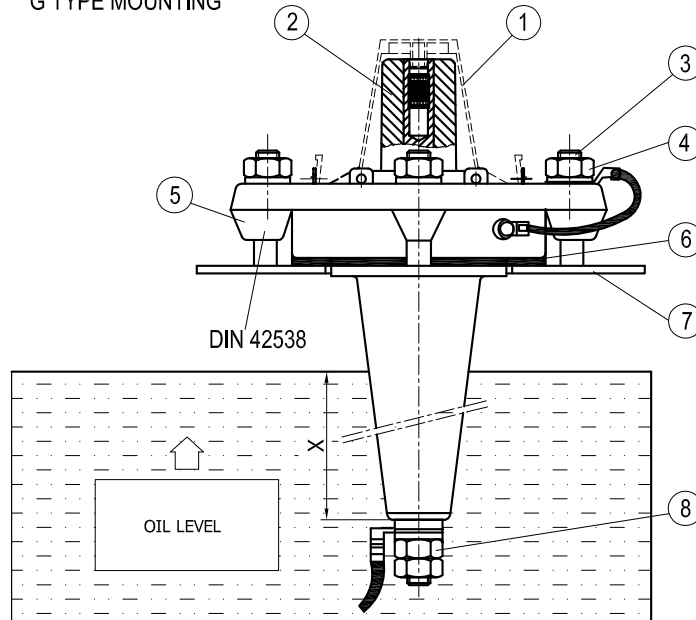
SLIDING TYPE CONTACT

D TYPE CONTACT SYSTEM



THREADED TYPE CONTACT

G TYPE MOUNTING



DESCRIPTION

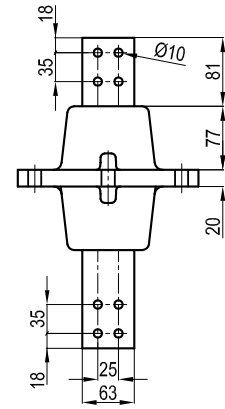
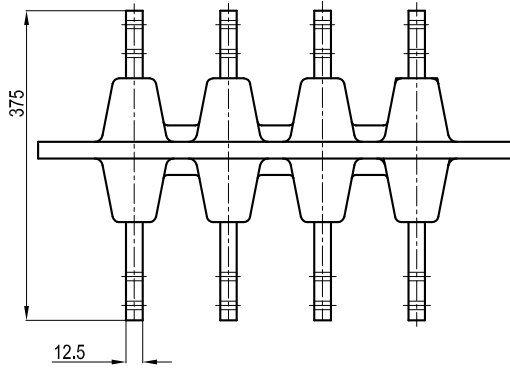
1	PROTECTIVE COVER	7	TRANSFORMER
2	CONNECTION INTERFACE	8	CONNECTION BOLTS
3	STUD SCREW	* 9	FIXING SHOE
4	FIXING NUTS	10	EARTH JUMPER
5	TYPE G ALU-CLAMPING E DIN 42538	11	FIXING FLANGE A DIN 42538
5	TYPE E ST- CLAMPING		
6	GASKET		

CAST RESIN MONOBLOCK

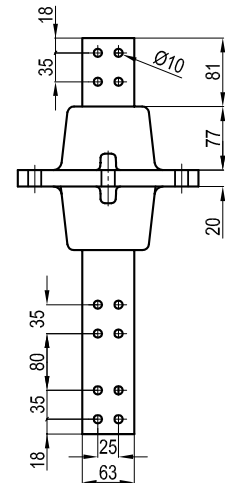
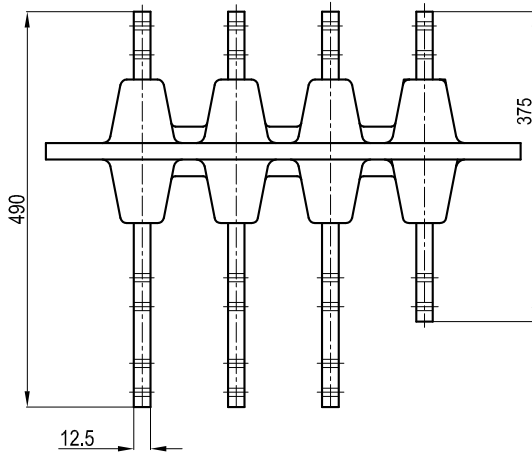
BS 2562 / EN 50336



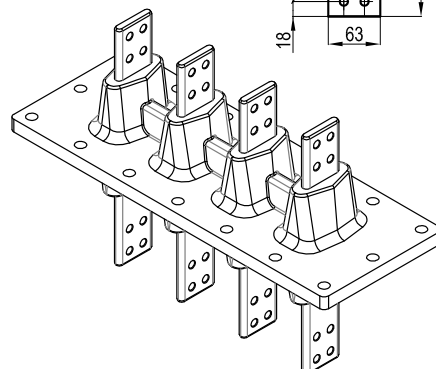
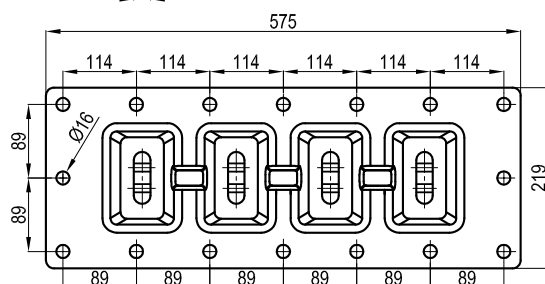
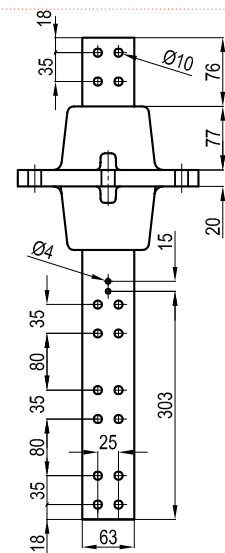
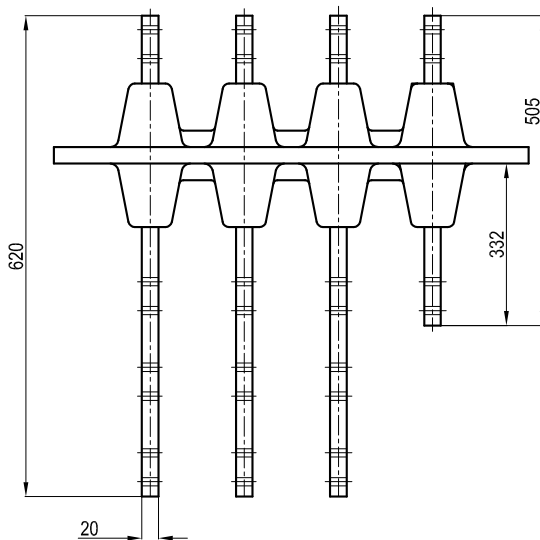
DMB-800
800A



DMB-1400
1400A



DMB-2500
2500A



DTS-P-6